

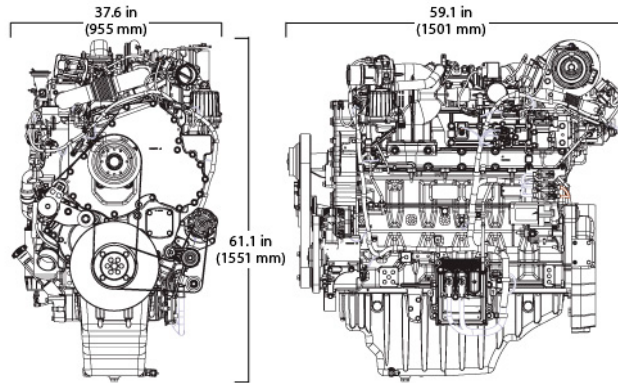
# PowerTech™ PSS 6135HFC09 Diesel Engine

Industrial Engine Specifications



6135HFC09 shown

## Engine dimensions



Dimensions may vary according to options selected. Call your distributor for more information.

## Certifications

CARB  
EPA Tier 4  
EU Stage IV

## General data

Model	6135HFC09	Length – mm (in)	1501 (59.1)
Number of cylinders	6	Width – mm (in)	955 (37.6)
Displacement – L (cu in)	13.5 (824)	Height – mm (in)	1551 (61.1)
Bore and stroke – mm (in)	132 x 165 (5.2 x 6.5)	Weight, dry – kg (lb)	1500 (3307)
Engine type	In-line, 4-cycle		
Aspiration	Turbocharged and air-to-air aftercooled		

## Performance data range

Application ratings	Intermittent	Heavy Duty	Continuous
Rated power/Rated speed	392 – 448 kW (525 – 600 hp) @ 2100 rpm	373 – 392 kW (500 – 525 hp) @ 2100 rpm	309 – 373 kW (414 – 500 hp) @ 2100 rpm
Peak power	432 – 460 kW (579 – 617 hp) @ 1700 – 1900 rpm	413 – 418 kW (554 – 561 hp) @ 1700 – 1900 rpm	326 – 394 kW (437 – 528 hp) @ 1700 – 1900 rpm
Power bulge	3 – 12% @ 1900 rpm	5 – 12% @ 1900 rpm	6 – 14% @ 1900 rpm
Peak torque	2520 – 2750 N.m (1859 – 2028 ft-lb) @ 1550 rpm	2397 – 2520 N.m (1768 – 1859 ft-lb) @ 1550 rpm	1986 – 2397 N.m (1465 – 1768 ft-lb) @ 1550 rpm
Torque rise	35 – 42%	41%	41%

The Industrial Intermittent engine power rating is for applications that operate at varying loads and speeds, and do not fit the Industrial Heavy-Duty rating definition.

Some applications require Industrial Heavy-Duty engine power ratings. Please contact your John Deere Power Systems engine distributor for more information.

The Industrial Continuous engine power rating is for applications that operate with constant load and speed, except for short periods during startup or shutdown.

Power output is within + or – 5% at standard SAE J 1995 and ISO 3046.

## Exhaust filter dimensions

Size	8
Diameter – mm (in)	391.16 (15.4)
Length – mm (in)	970.28 (38.2)
Weight – kg (lb)	76.20 (168)

## SCR catalyst dimensions

Size	8
Diameter – mm (in)	386.08 (15.2)
Length – mm (in)	1,069.34 (42.1)
Weight – kg (lb)	77.11 (170)

See your John Deere Power Systems engine distributor for more information on available filter size options.

## Features and benefits

### Series turbochargers

- Fresh air is first drawn into the low-pressure turbocharger (fixed geometry) and compressed to a higher pressure. The compressed air is then drawn into the high-pressure turbocharger (VGT or WGT), where the air is further compressed. The high-pressure air is then routed through a charge air cooler and into the engine's intake manifold.
- By splitting the work between two turbochargers, both can operate at peak efficiency and at slower rotating speeds — lowering stress on turbocharger components and improving reliability. Series turbocharging delivers more boost pressure than single turbocharger configurations, which results in higher power density, improved low-speed torque, and improved high-altitude operation.

### Cooled exhaust gas recirculation (EGR)

- EGR cools and mixes measured amounts of cooled exhaust gas with incoming fresh air to lower peak combustion temperatures, thereby reducing NOx.

### Exhaust filters

- These engines utilize a catalyzed exhaust filter that contains a diesel oxidation catalyst (DOC) and a diesel particulate filter (DPF). The DOC reacts with exhaust gases to reduce carbon monoxide, hydrocarbons, and some particulate matter (PM).
- The downstream DPF traps and holds the remaining PM. Trapped particles are oxidized within the DPF through a continuous cleaning process called passive regeneration. Passive regeneration occurs during normal operating conditions when heat from the exhaust stream and catalysts within the exhaust filter trigger the oxidation of the trapped PM. If passive regeneration cannot be achieved due to low temperature, load, or speed, then PM is removed using active regeneration — an automatic cleaning process controlled by the exhaust temperature management system.

### Selective catalytic reduction (SCR)

- John Deere engines feature an SCR system that utilizes a urea-based additive, sometimes referred to as diesel exhaust fluid (DEF). The ammonia in the urea mixes with engine exhaust gases in the SCR catalyst to reduce NOx — converting it to nitrogen and water vapor.

### Electronic unit injector (EUI) and engine control unit (ECU)

- The EUI fuel system provides higher injection pressures up to 2,350 bar (34,000 psi) It also controls fuel injection timing and provides precise control for start, duration, and end of injection.

### 4-valve cylinder head

- The 4-valve cylinder head provides excellent airflow resulting in greater low-speed torque and better transient response time by utilizing a cross-flow design.

### Air-to-air aftercooled

- This is the most efficient method of cooling intake air to help reduce engine emissions while maintaining low-speed torque, transient response time, and peak torque. It enables an engine to meet emissions regulations with better fuel economy and the lowest installed costs.

### Compact size

- Lower installed cost; mounting points are the same as previous engine models.

### Engine performance

- Multiple rated speeds to further reduce noise and improve fuel economy.
- Peak torque equal to or better than Interim Tier 4/Stage III B; peak torque equal to or better than Interim Tier 4/Stage III B; transient response time equal to Interim Tier 4/Stage III B; low-speed torque similar to Interim Tier 4/Stage III B; optional power bulge equal to or better than Interim Tier 4/Stage III B.

### John Deere electronic engine controls

- Faster engine control unit (ECU) manages both the engine and the aftertreatment system; four times the memory, twice the RAM and double the processing speed; the input/output capability has increased 40%; premium software option integrates with equipment or vehicles to reduce engineering and installation costs.

### Additional features\*

- Gear-driven auxiliary drives; 500-hour oil change; self-adjusting poly-vee fan drive; optional factory installed variable-speed fan drive improves fuel economy and reduces noise levels; single-piece low-friction steel piston with integrated oil cooled gallery; directed top-liner cooling; low-pressure fuel system with electrical transfer pump and “auto-prime” feature; optional rear PTO.

\* Available on all PowerTech PSS engines unless noted.

**John Deere Power Systems**  
3801 W. Ridgeway Ave.  
PO Box 5100  
Waterloo, IA 50704-5100  
Phone: 800.553.6446  
Fax: 319.292.5075

**John Deere Power Systems**  
**Usine de Saran**  
La Foulonnerie - B.P. 11.13  
45401 Fleury les Aubrais Cedex  
France  
Phone: 33.2.38.82.61.19  
Fax: 33.2.38.82.60.00

All values at rated speed and power with standard options unless otherwise noted. Specifications and design subject to change without notice.

Litho in U.S.A. (14-01) © 2014 JOHN DEERE

